

Redblade Pty Ltd

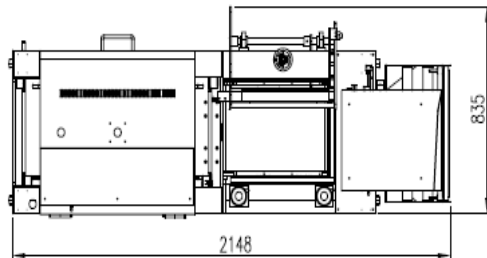
Dextron Heatshrink

Chan-Yeh CY-336-P Semi Auto Shrink Machine



Operation:

Turn machine on, attach air line to machine, adjust machine width/height to suit your product, and attach film to machine. You are now ready to start. Place your product in the seal area inside the film and press the seal button to seal your product, the machine then conveys the product through the shrink tunnel and out the end. Your product is now shrink wrapped.



Characteristics and strong points:

- *Adjustable temperature control
- *Safety Guarding
- *Hot wire sealing system
- *Pneumatic operation

Power Requirements:

415v, 3 phase, 20 amp.

Air required

Machine dimensions: (LxWxH)

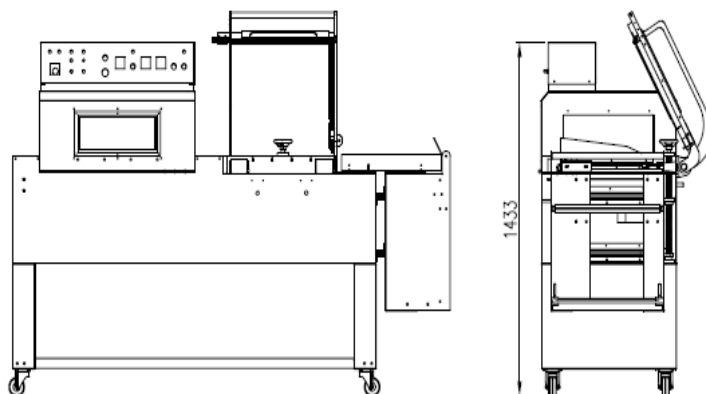
2148mm X 835mm X 1433mm

Tunnel dimensions: (LxWxH)

760mm X 400mm X 200mm

Seal Area: (LxWxH)

490mm X 400mm X 200mm



www.redblade.com.au

26 Collingwood St, Albion Queensland 4010

Phone: 07 32622344 Fax: 07 32622074

Email: sales@redblade.com.au