

**Redblade Pty Ltd**

# **Dextron Heatshrink**

## **Chan-Yeh 71-12-s Auto L-sealer**



### **Operation:**

Turn machine on, attach air line to machine, adjust machine width/height to suit your product, and attach film to machine. You are now ready to start. Place your product on the infeed conveyor and the machine will sense when the product is in the seal area and seal your product, the machine then conveys into a shrink tunnel (shrink tunnel sold separately)

### **Characteristics and strong points:**

- \*Adjustable temperature control
- \*Closing Conveyor
- \*Safety Guarding
- \*Hot Blade sealing system
- \*Scrap rewind kit

### **Power Requirements:**

240v, 1 phase, 10 amp.

Air Required

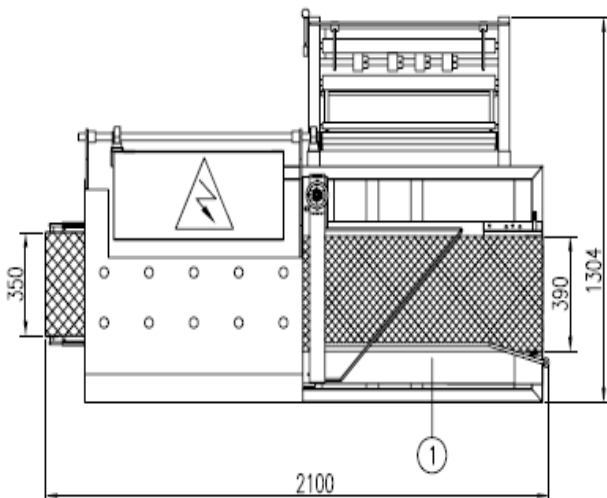
Machine dimensions: (LxWxH)

2100x1304x1580mm

Max. sealing dimensions: (LxWxH)

500x300x120mm

Smaller/larger models are available upon application.



***www.redblade.com.au***

**26 Collingwood St, Albion Queensland 4010**

**Phone: 07 32622344 Fax: 07 32622074**

**Email: sales@redblade.com.au**